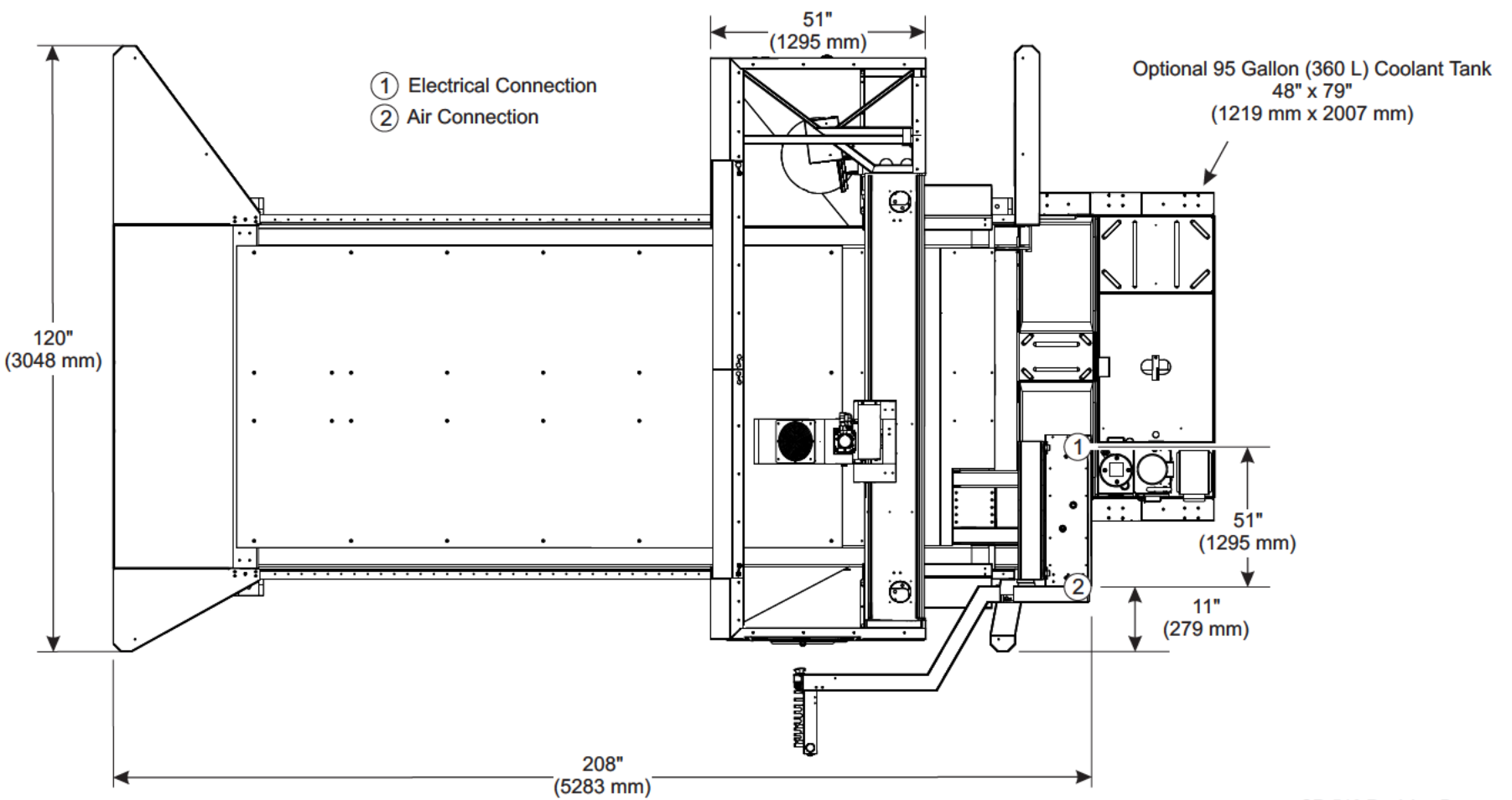
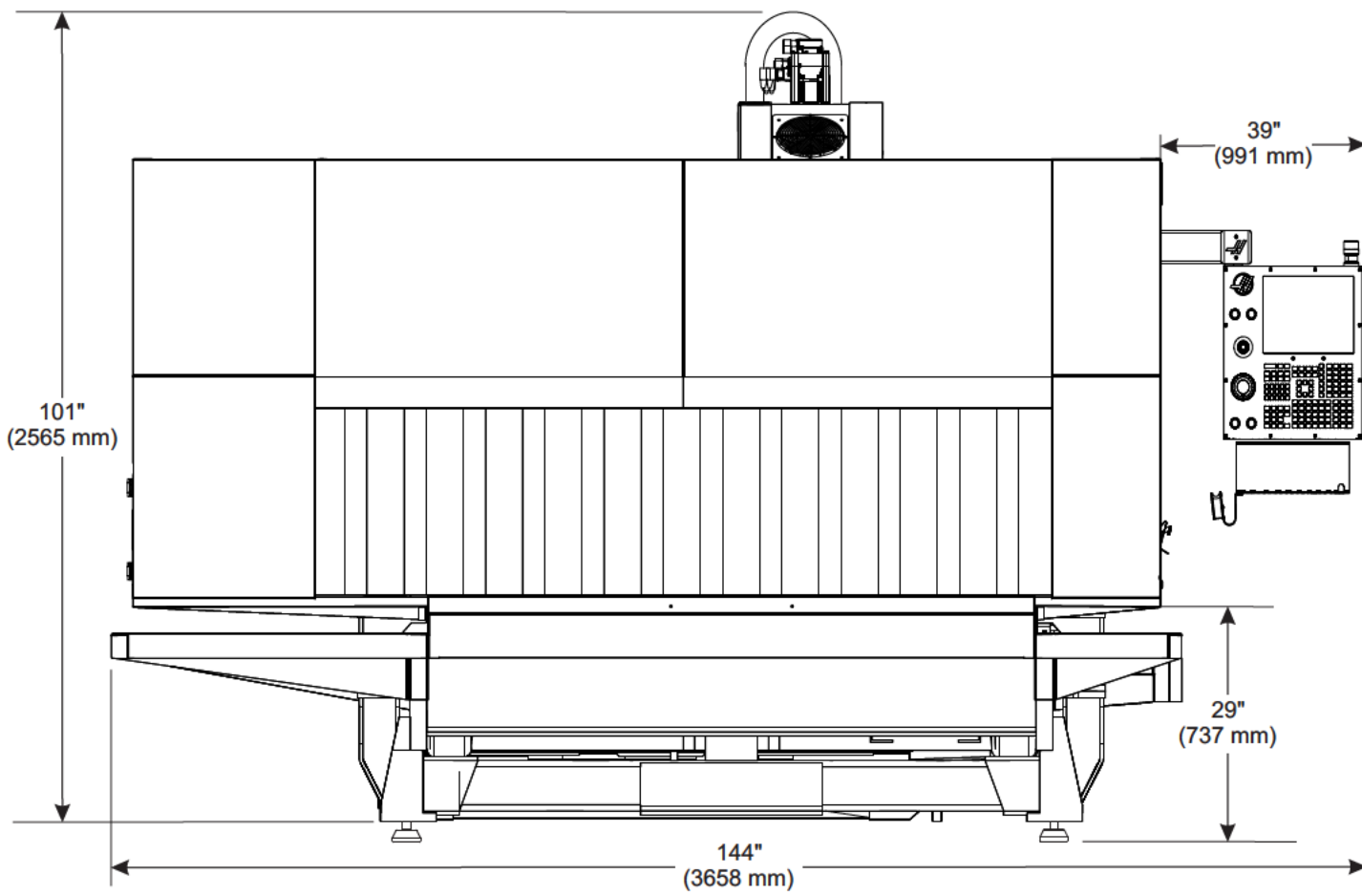
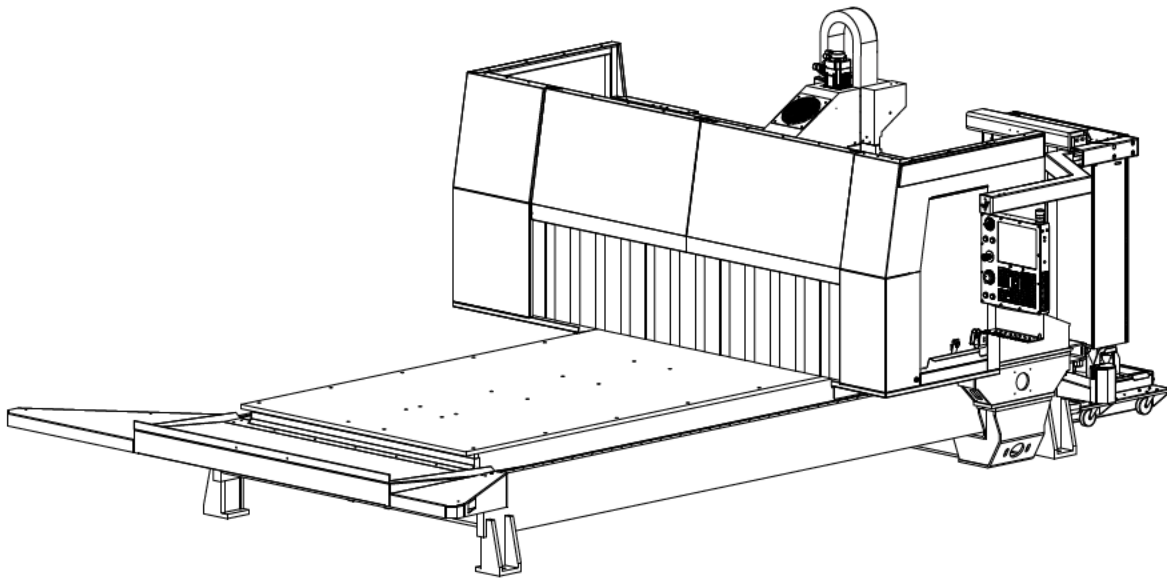
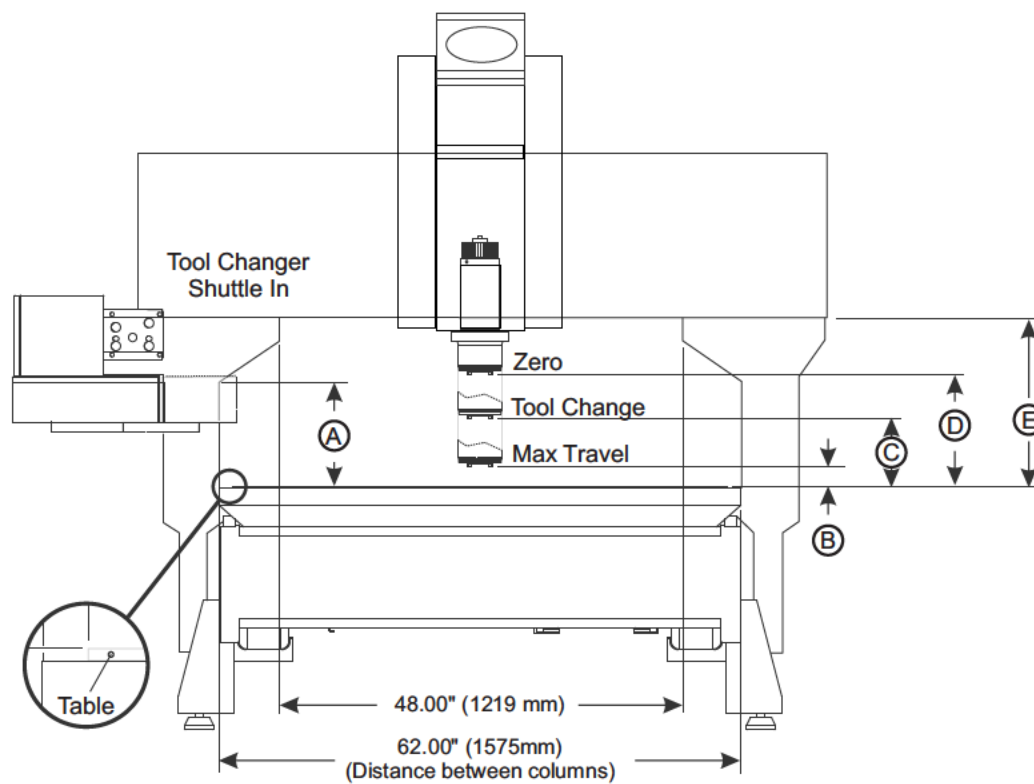
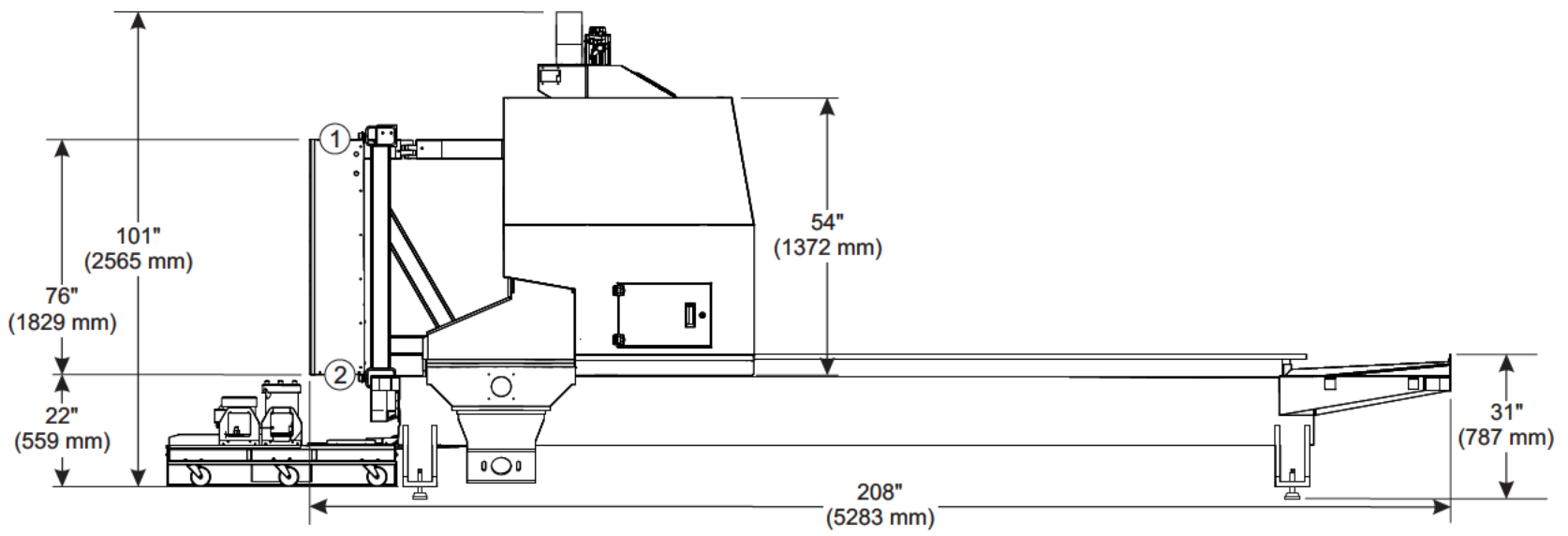
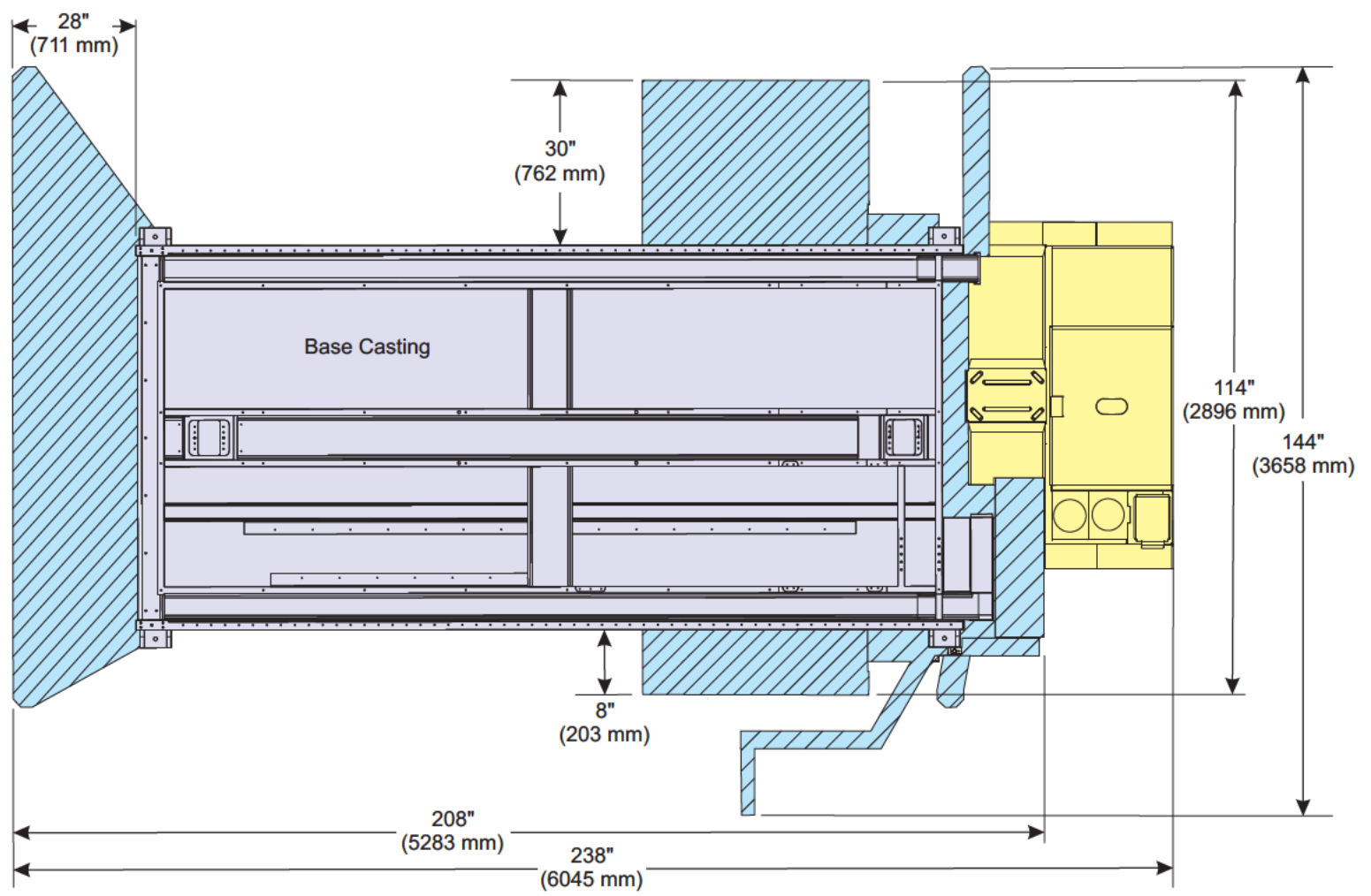


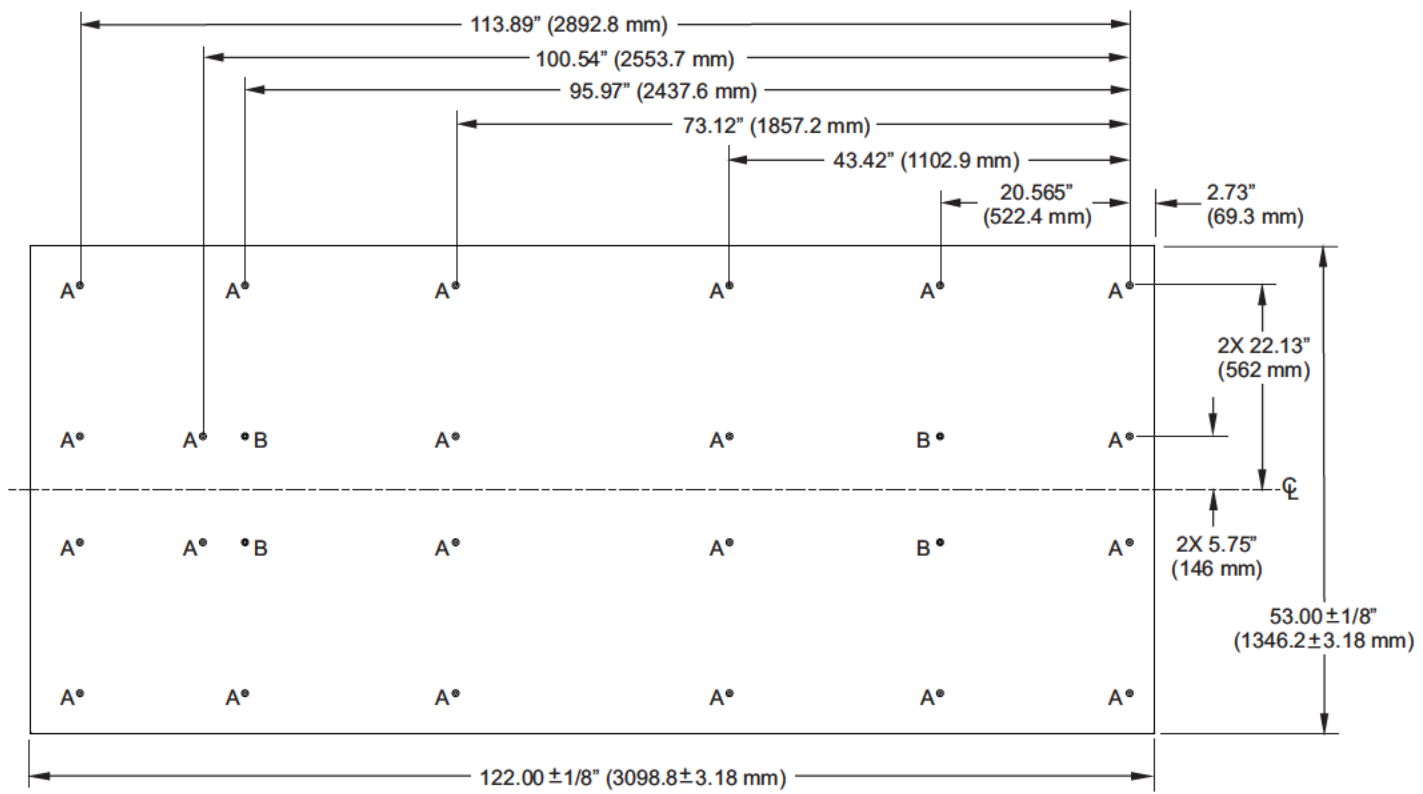
GR-510 Anchor Pattern





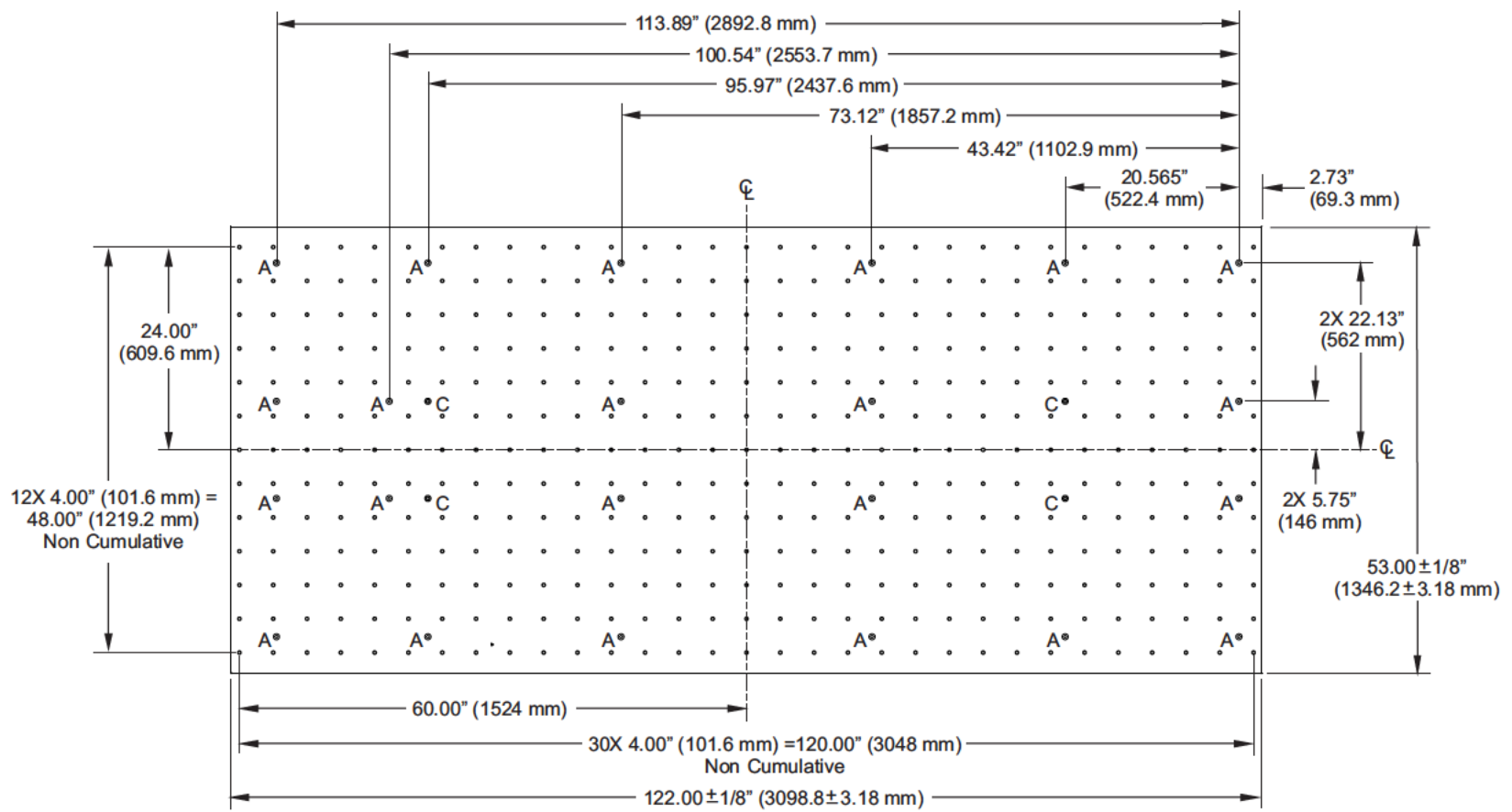
GR-510 Work Space

	Standard	6" Extended Z-Axis Clearance	24" Extended Z-Axis Travel
A	13.00" (330 mm)	19.00" (483 mm)	27.50" (699 mm)
B	2.50" (64 mm)	8.50" (216 mm)	4.00" (102 mm)
C	8.25" (210 mm)	14.25" (362 mm)	23.50" (597 mm)
D	13.50" (343 mm)	19.50" (495 mm)	28.00" (711 mm)
E	20.25" (514 mm)	26.25" (667 mm)	34.75" (883 mm)



	DESCRIPTION	QTY.
A	$\&.391$ " (9.93 mm) Thru x C'Sink $\&.709$ " (18 mm) x $.49$ " (12.4 mm) Deep	22
B	$1/2$ 13 UNC 2B Thru x C'Sink $\&.709$ " (18 mm) x $.49$ " (12.4 mm) Deep	4

GR-510 Aluminum Table Dimensions (Standard)



	DESCRIPTION	QTY.
A	$\&.391$ " (9.93 mm) Thru x C'Sink $\&.709$ " (18 mm) x $.49$ " (12.4 mm) Deep	22
C	$1/2$ 13 UNC 2B Thru x C'Sink $\&.709$ " (18 mm) x $.49$ " (12.4 mm) Deep	4
*D	$1/2$ 13 UNC 2B x $.70$ (17.8 mm) Do not drill thru	403

\*All unmarked holes are "D" holes.

GR-510 Steel Table Dimensions (Optional)