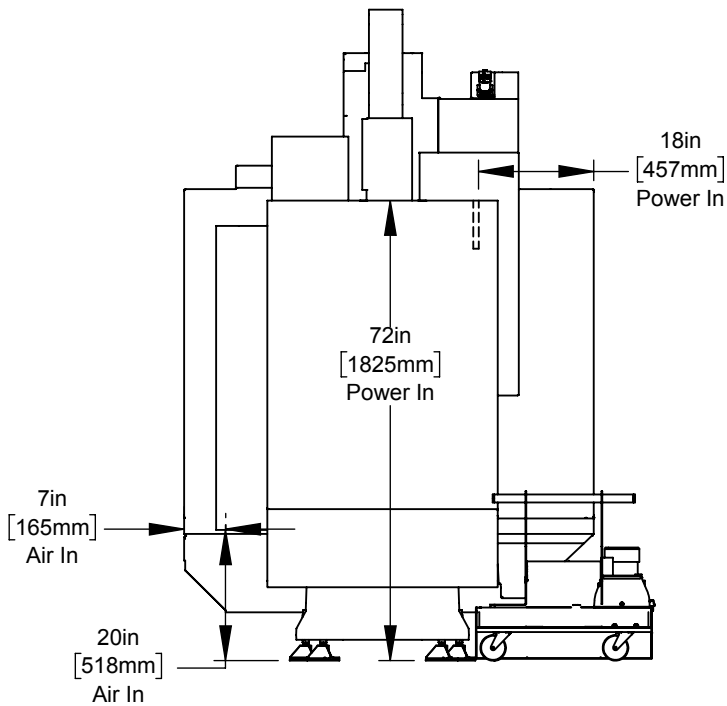


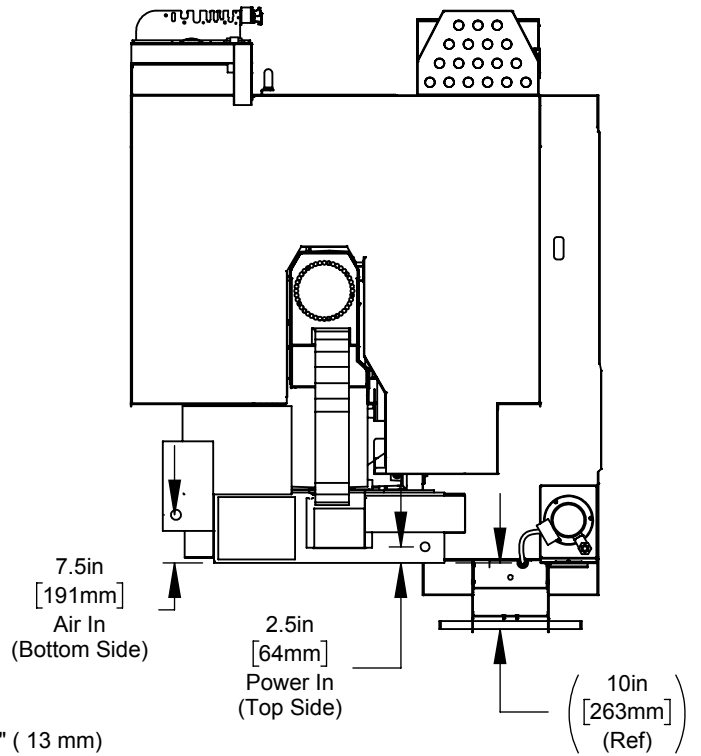
All dimensions based on stackup of sheetmetal, subject to variation of 1/2" ( 13 mm)  
\*\*Add 4" (101.6mm) for EC4 (Extended Clearance Option)

Air & Power

Back View

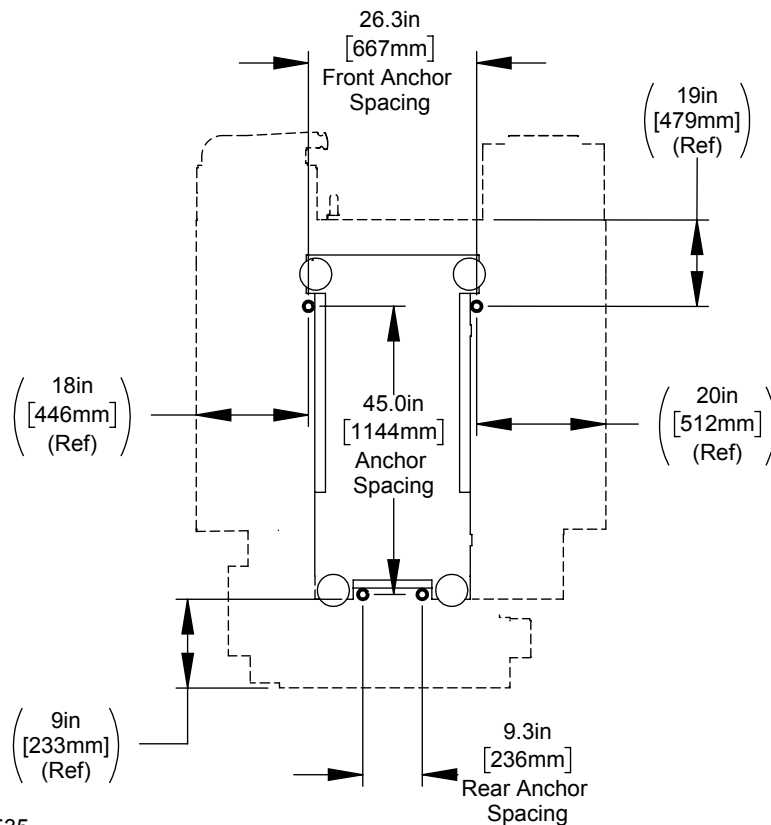


TopView



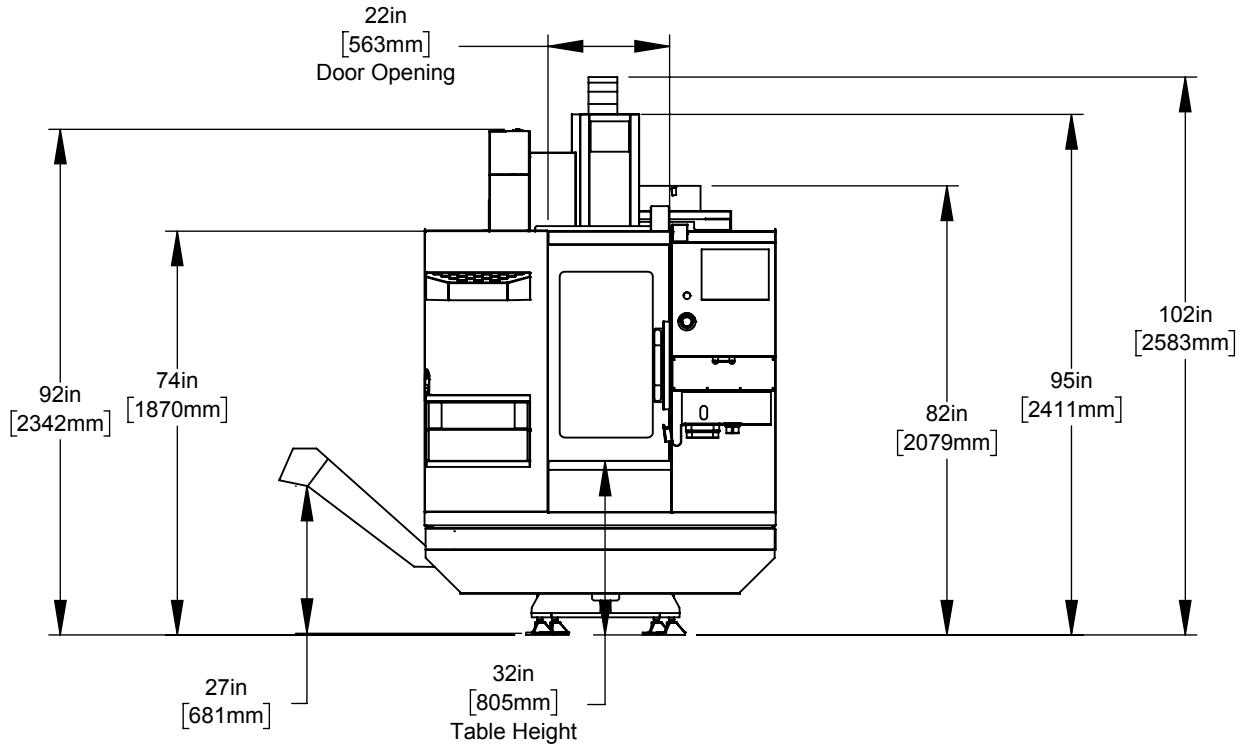
All dimensions based on stackup of sheetmetal, subject to variation of 1/2" ( 13 mm)

Anchor Pattern



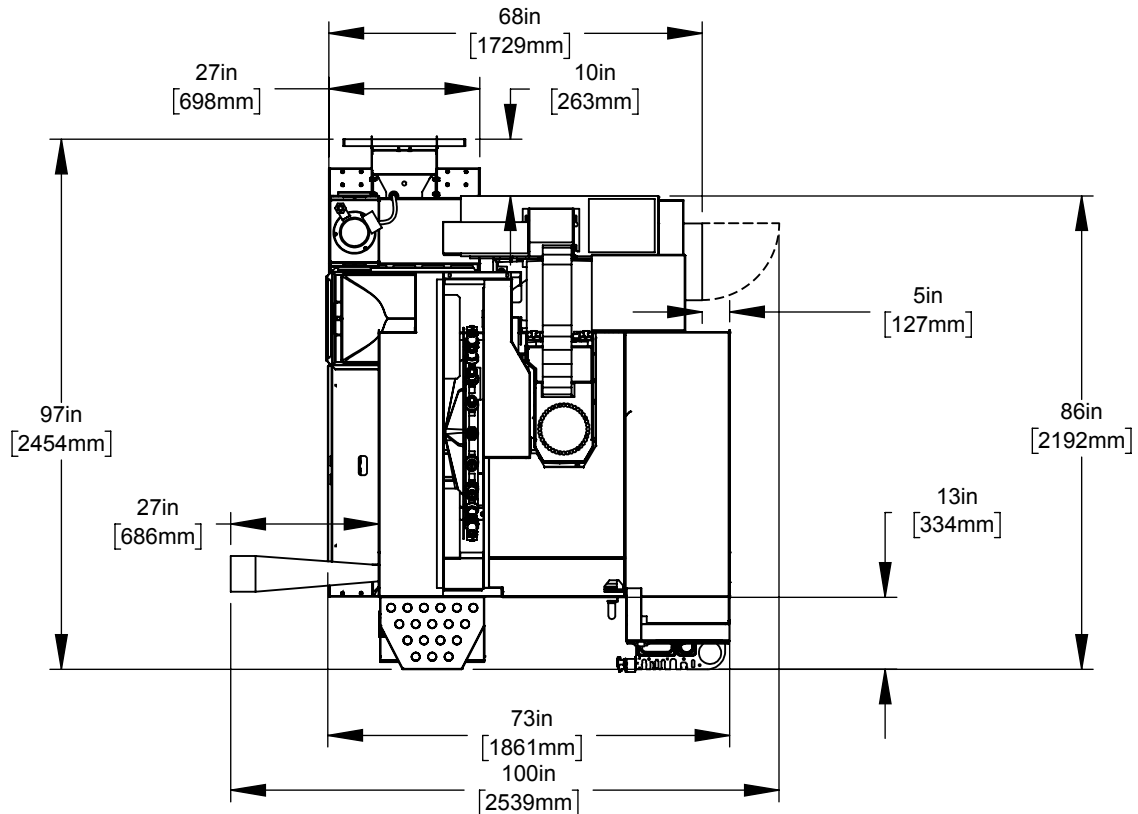
For use with Anchor Kit # 40-4535

Height Breakdown\*\*



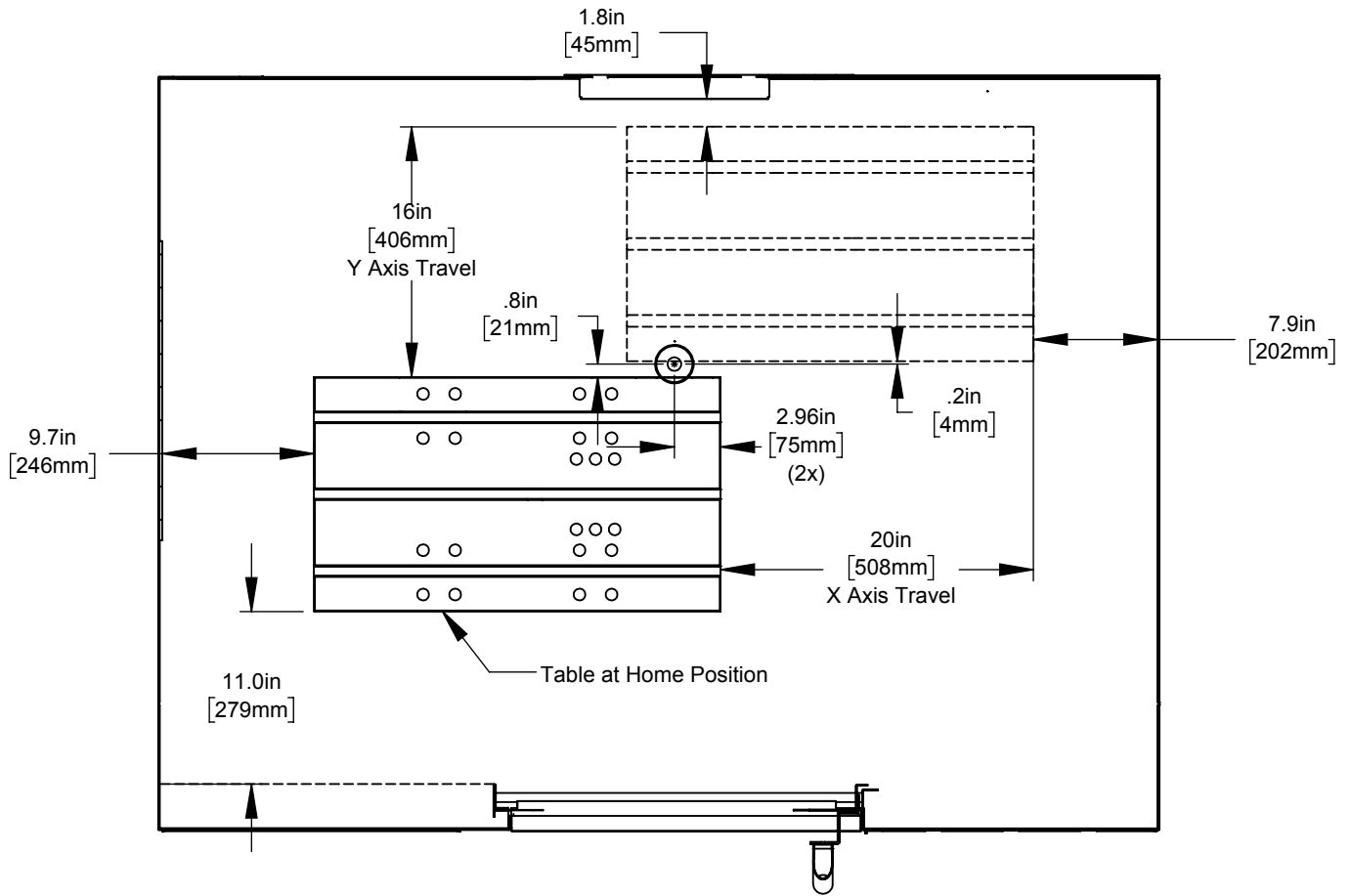
All dimensions based on stackup of sheetmetal, subject to variation of 1/2" ( 13 mm)  
\*\*Add 4" (101.6mm) for EC4 (Extended Clearance Option)

Width Breakdown

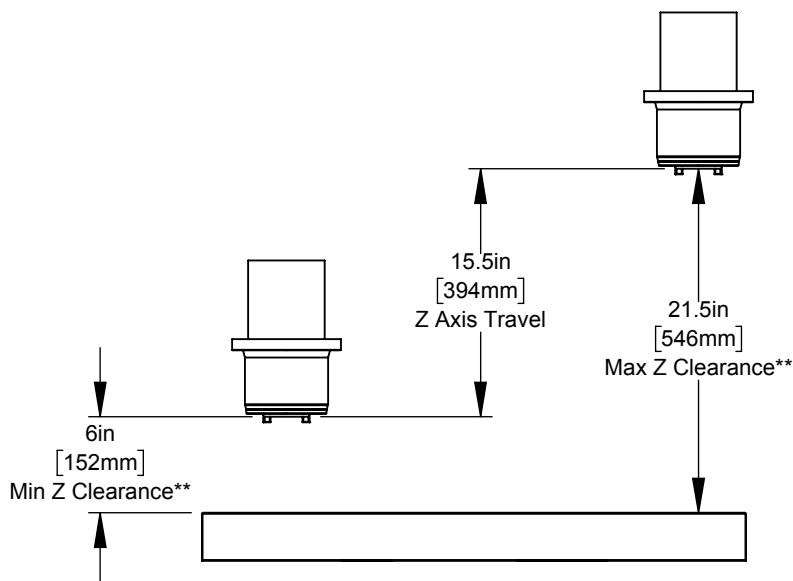


All dimensions based on stackup of sheetmetal, subject to variation of 1/2" ( 13 mm)

X&Y-Axis Clearance

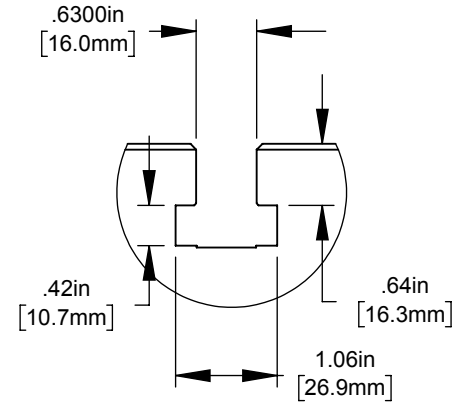
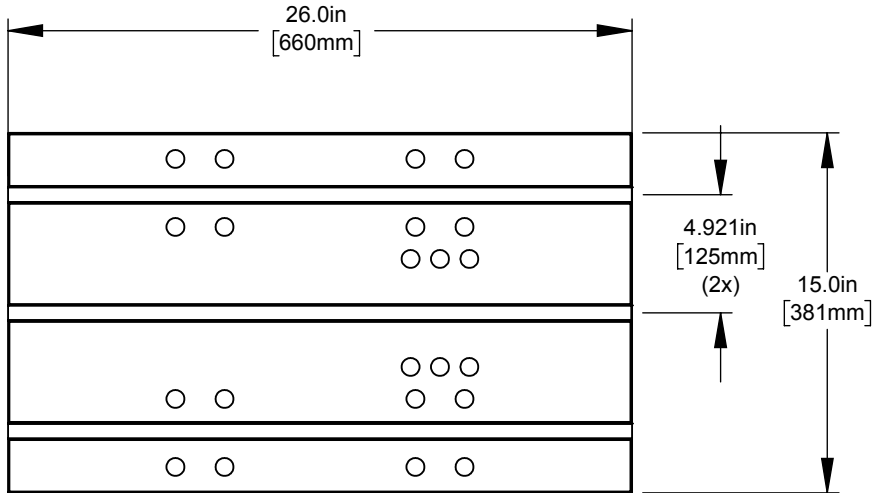


Z-Axis Clearance\*\*



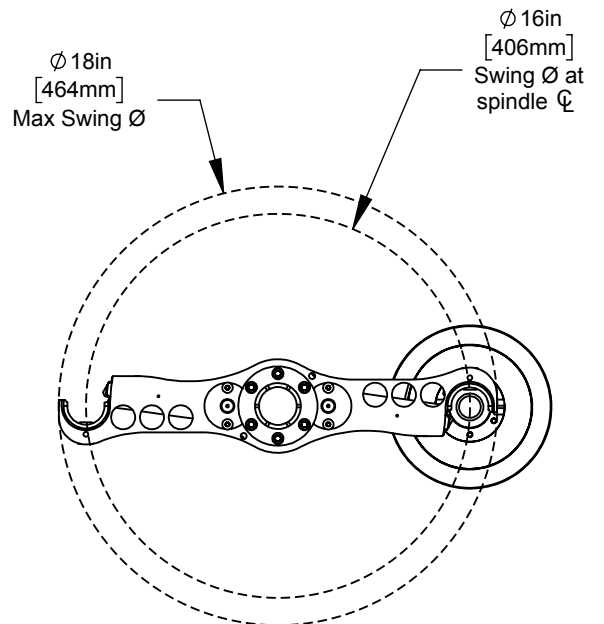
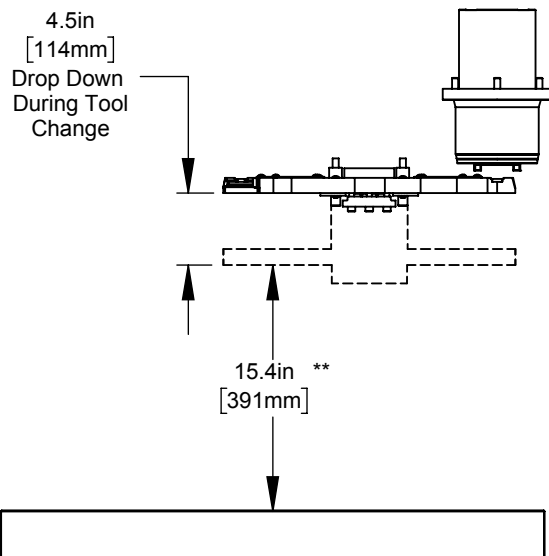
\*\*Add 4" (101.6mm) for EC4 (Extended Clearance Option)

Table



T Slot Detail

Tool Changer



\*\*Add 4" (101.6mm) for EC4 (Extended Clearance Option)