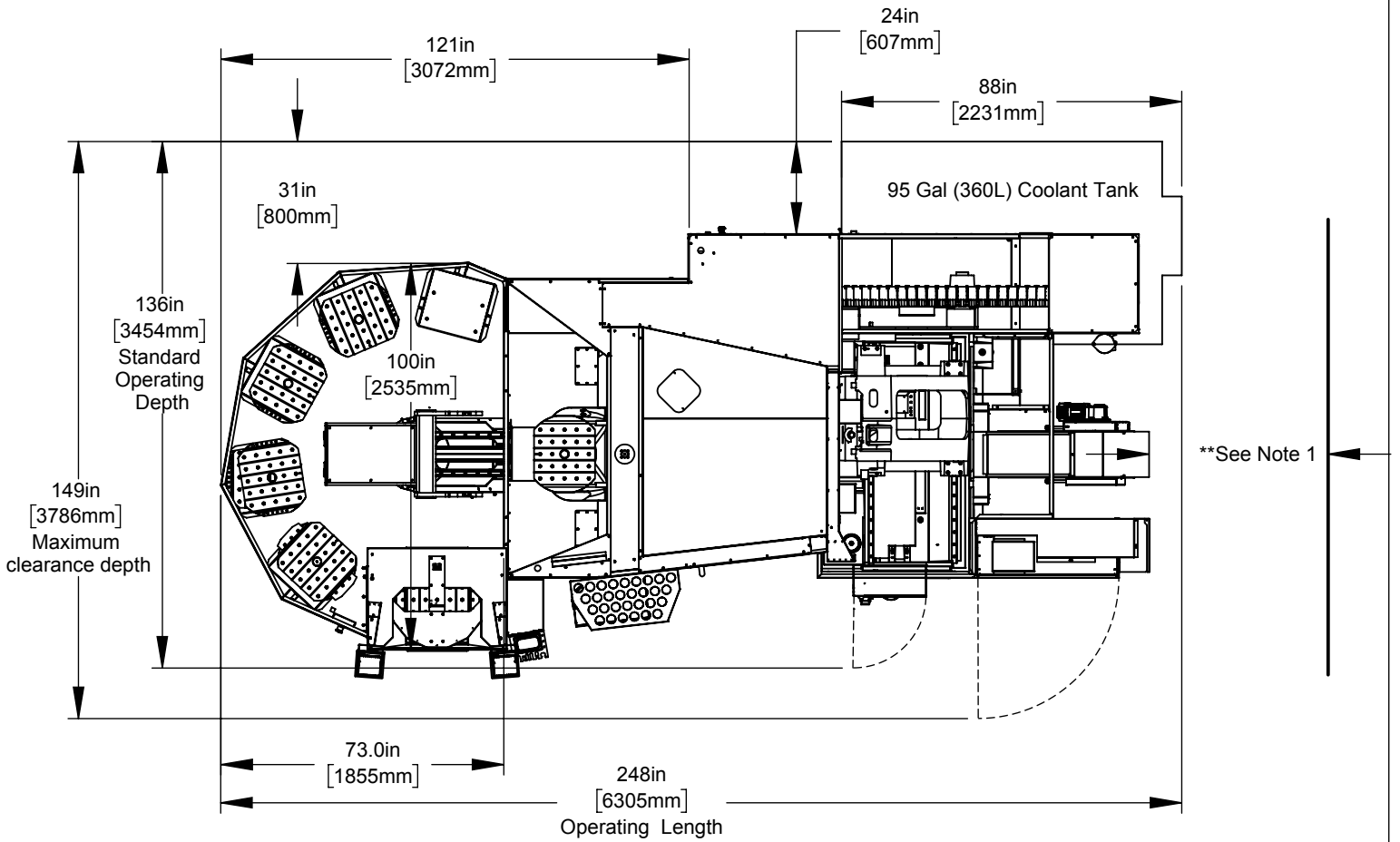


All dimensions based on stackup of sheetmetal, subject to variation of 1/2" (13 mm)

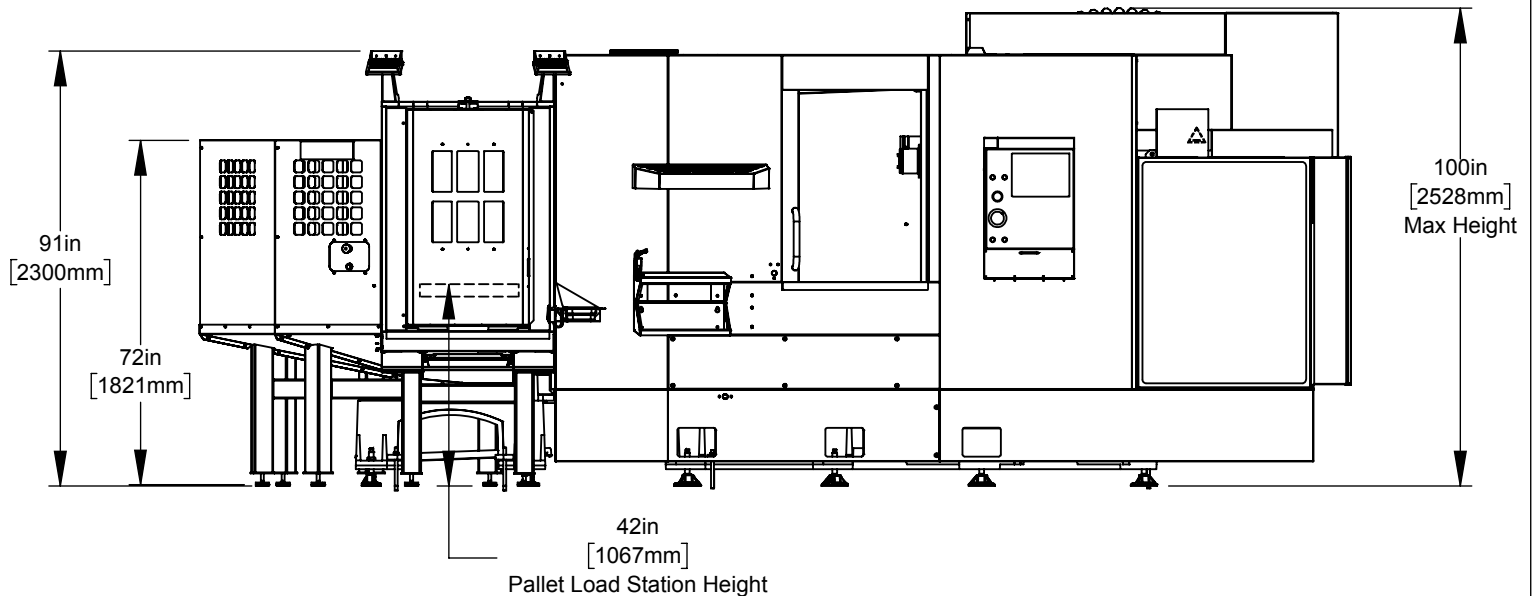
**Note 1 - Minimum distance to nearest obstruction to remove chip conveyor is 83in [2100mm] from the back of the machine

Pallet Pool Footprint

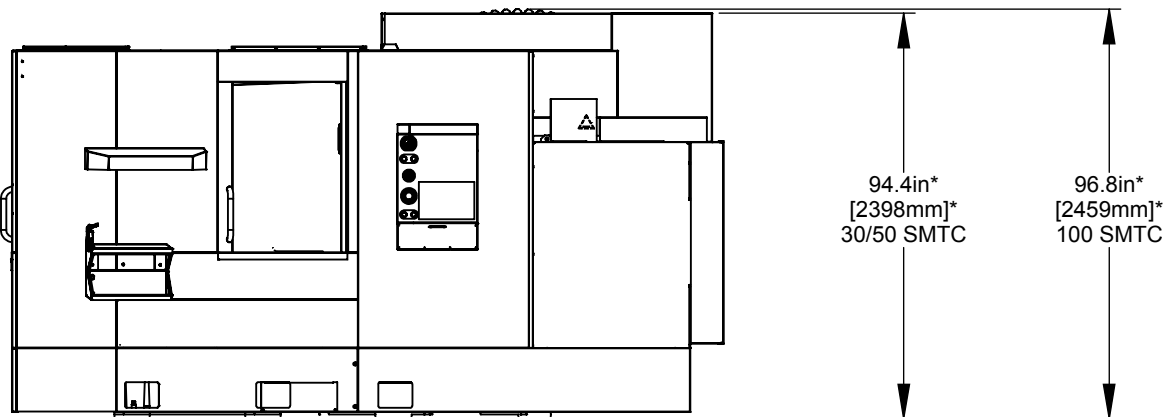
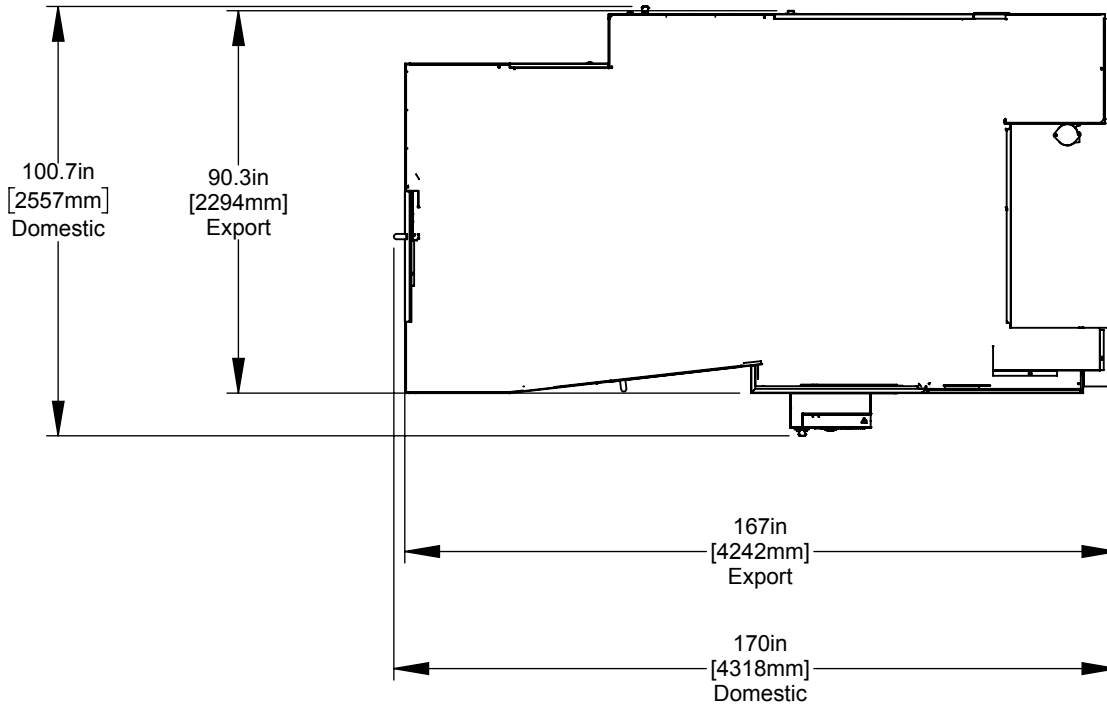


**Chip Conveyor Note - Minimum distance to nearest obstruction to remove chip conveyor is 83in [2100mm]

Pallet Pool Height

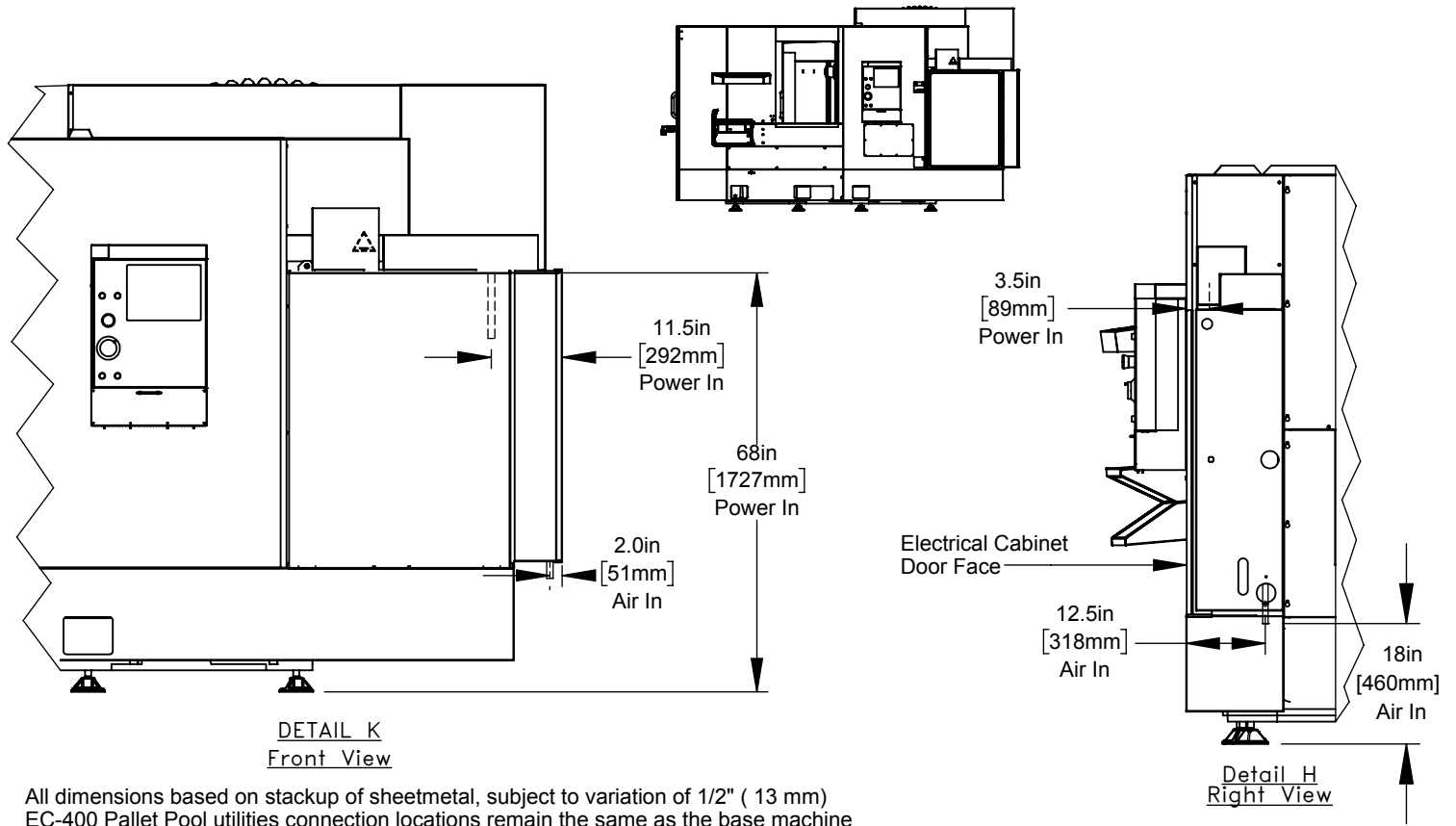


As Shipped



*Domestic Shipping Pallet adds 9.0in [229mm] to height
*Export Shipping Pallet adds 3.5in [89mm] to height

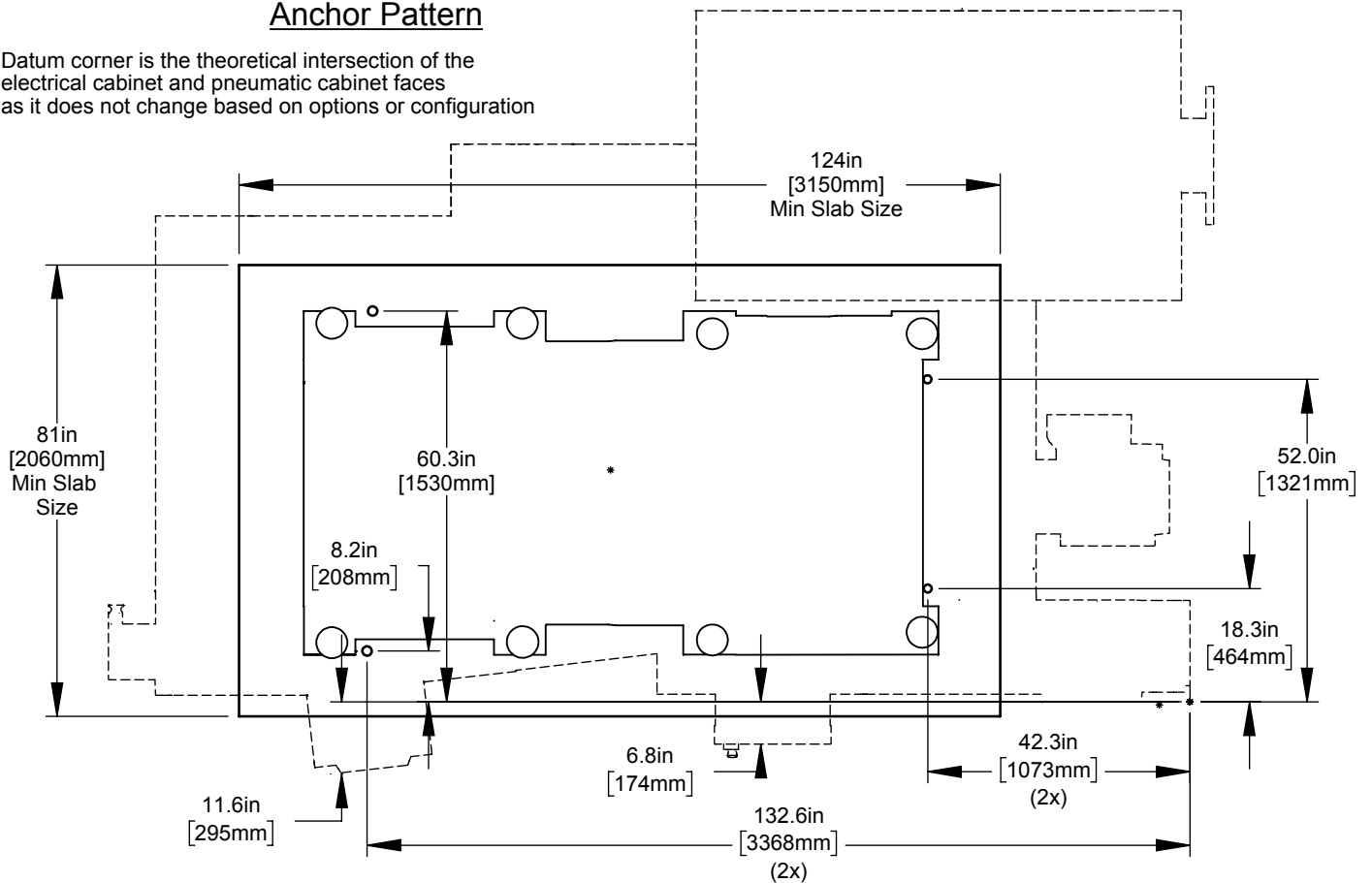
Air & Power



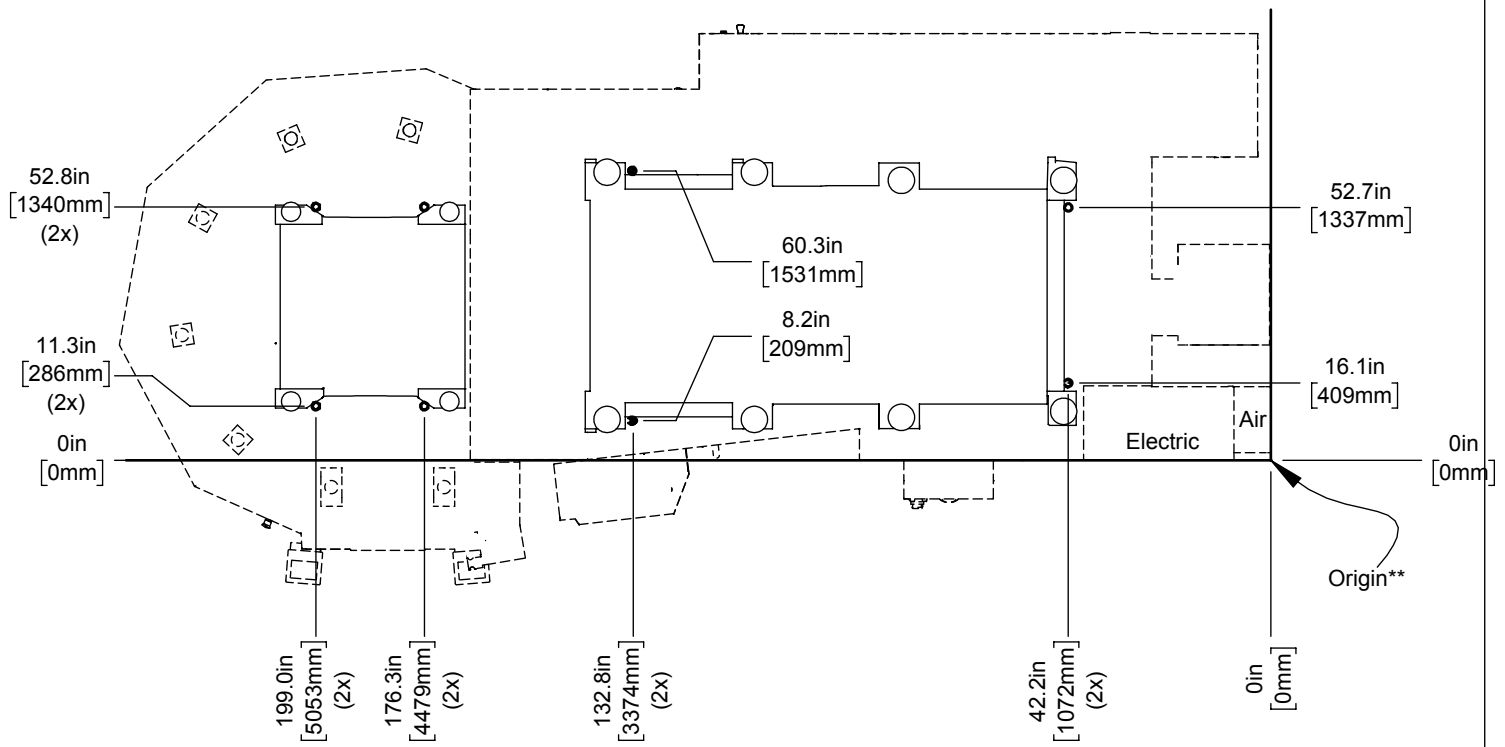
All dimensions based on stackup of sheetmetal, subject to variation of 1/2" (13 mm)
EC-400 Pallet Pool utilities connection locations remain the same as the base machine

Anchor Pattern

Datum corner is the theoretical intersection of the electrical cabinet and pneumatic cabinet faces as it does not change based on options or configuration

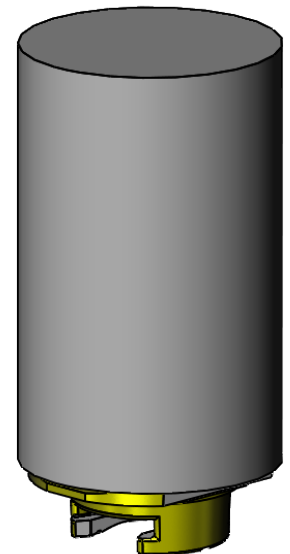
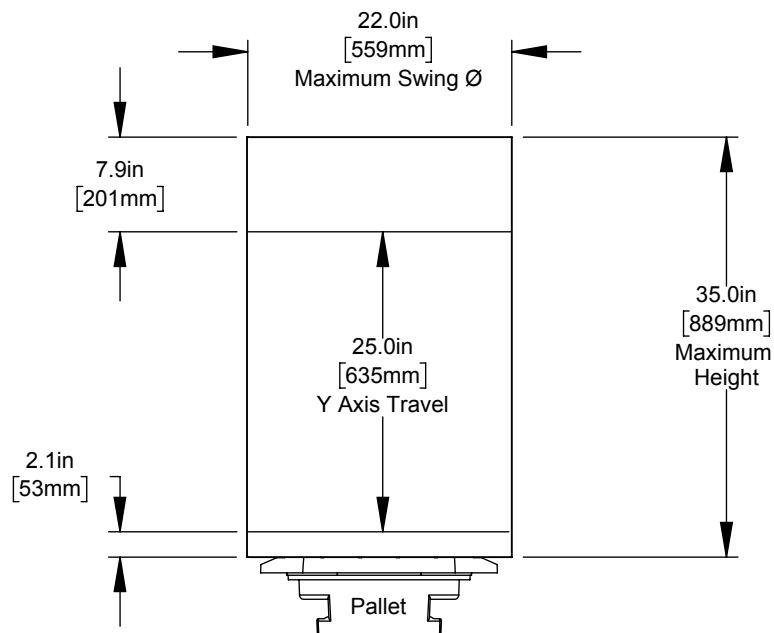


Pallet Pool Anchoring



**Origin of anchor pattern is the theoretical intersection of the electrical cabinet face and pneumatic cabinet face

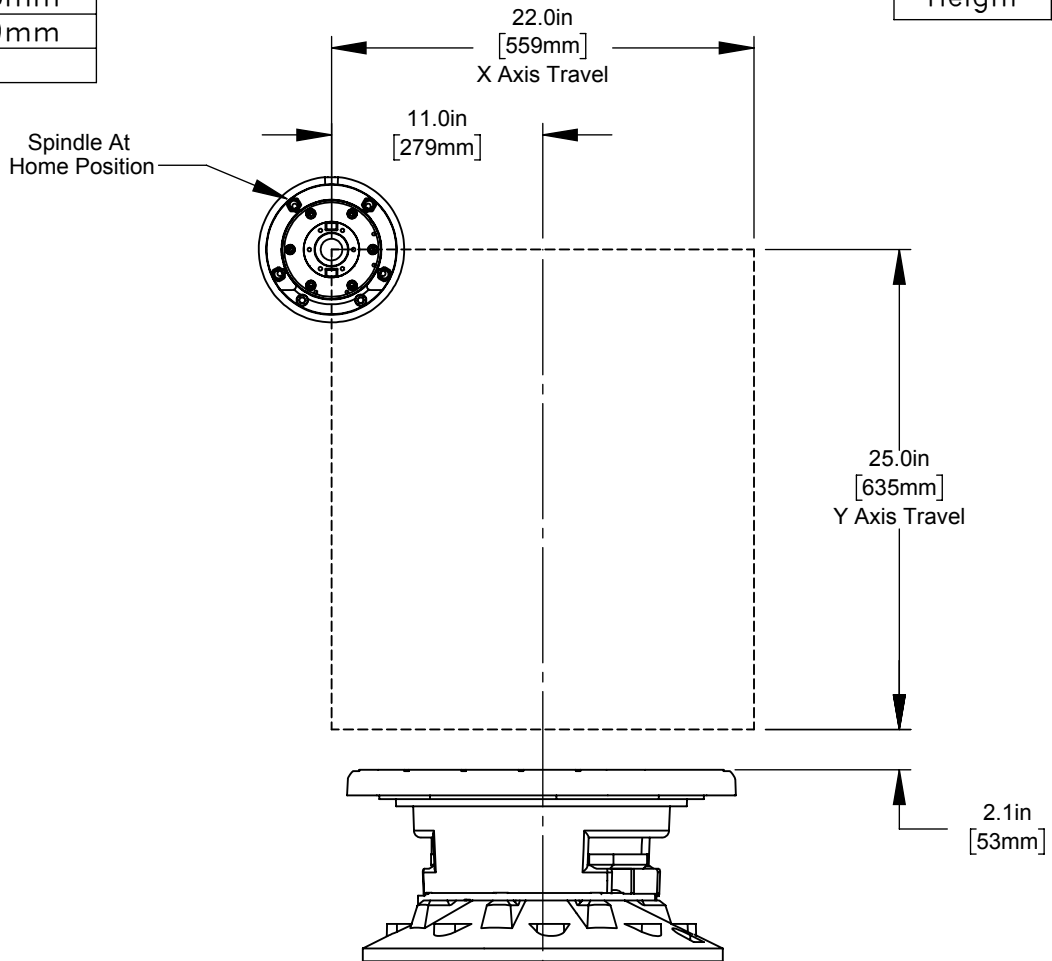
EC-400 and EC-400 Pallet Pool Maximum Work Envelope



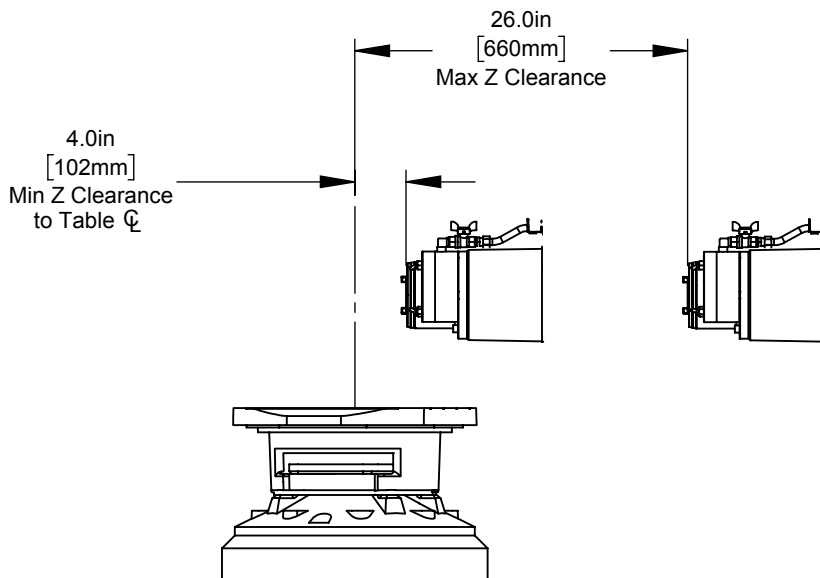
Max Travels		
X	22in	559mm
Y	25in	635mm
Z	22in	559mm
A	360°	

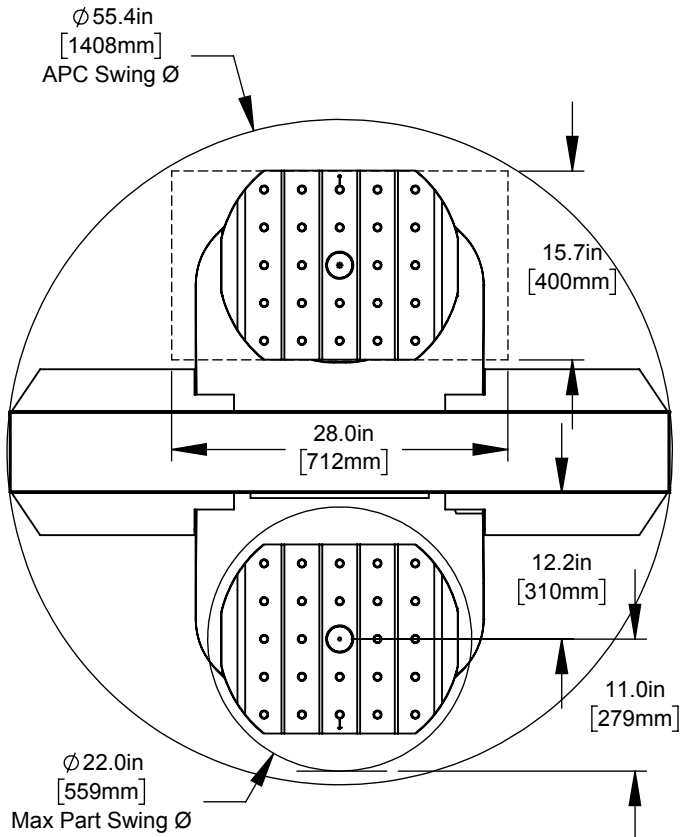
Maximum Size		
Diameter	22in	558mm
Height	35in	914mm

X&Y-Axis Clearance

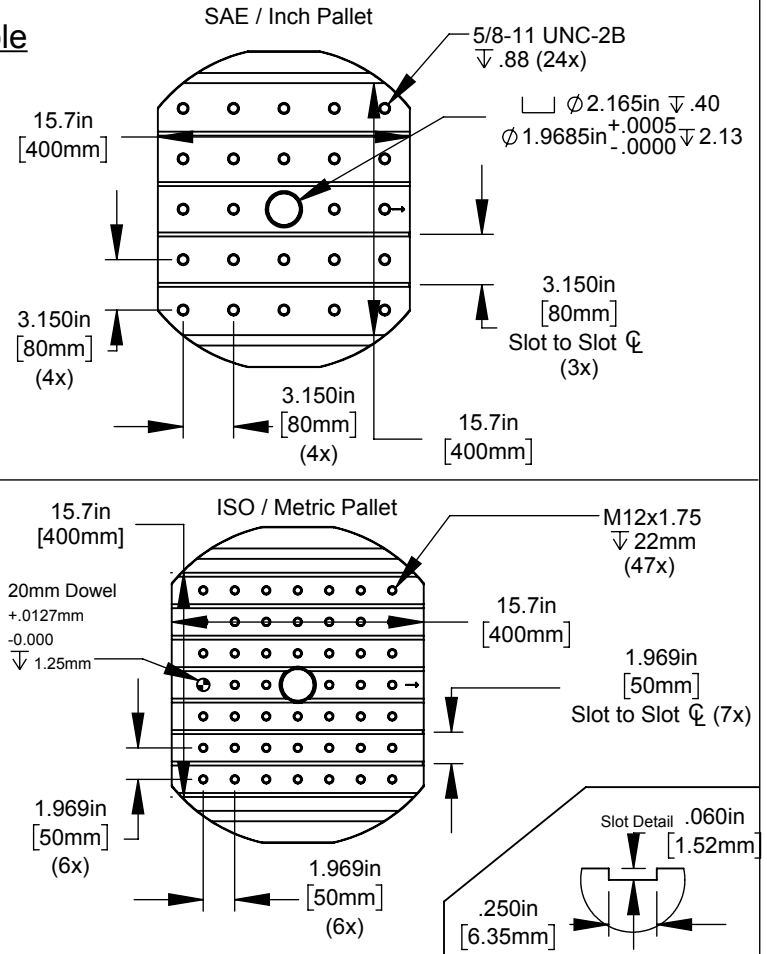


Z-Axis Clearance





Table



Tool Changer

